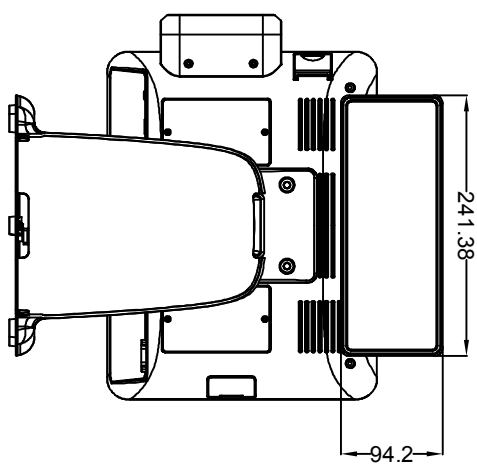
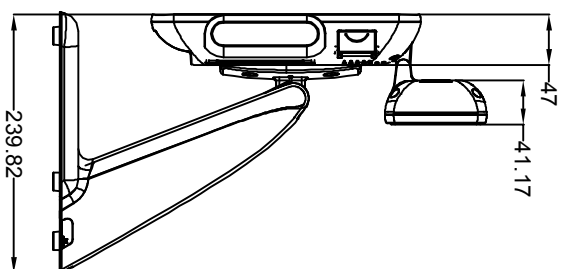
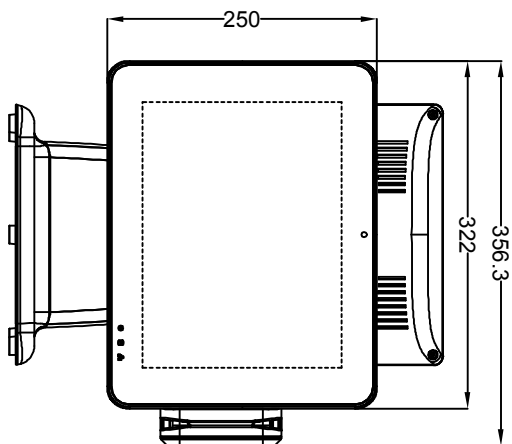
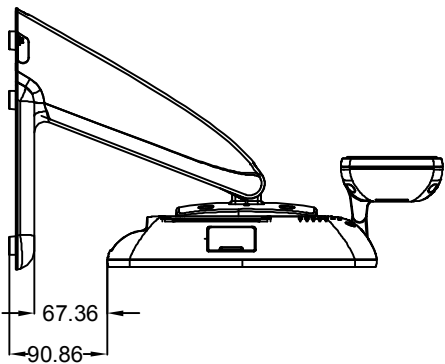
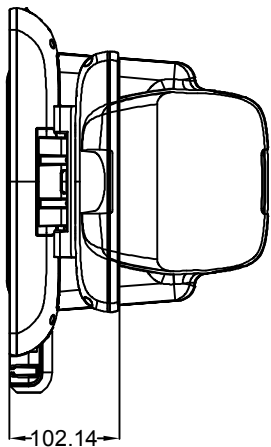


估價圖面
樣品圖面
○ 參考圖面
承認圖面
更新圖面

REV.	DATE	REMARK	DESIGNED	APPROVE



Vendor: XX	L=XX	a=XX	b=XX
ΔEs XX	XX ≤ΔL	Δa	Δbs XX

GENERAL TOL.	A	B	MATERIAL:	PART No.
>0	+0.1	+0.1	XXXX	EXXXXXXXXXXXR
>10	+0.1	+0.2	SPEC.: XXXX	TASK DWG No. T21873-00
>50	+0.15	+0.3	FINISH: XXXX	APPROVED
>200	+0.3	+0.5	UNIT: MM	CHECKED
>500	+0.5	+0.8	SCALE:1/1	DESIGNED
ANGLE TOL. ±0.5°				DRAWN

Dragon_Huang	2013/09/16	Frank_Lu	2013/09/16	REV. 02	SHEET: 1 / 1	AX
安勤科技股份有限公司 Avallue Technology Inc.				機構修改 RITY120		